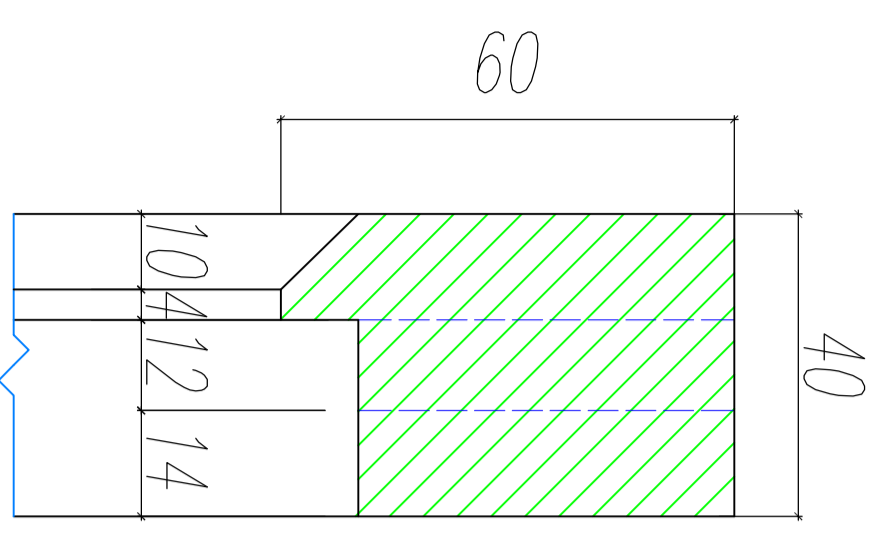
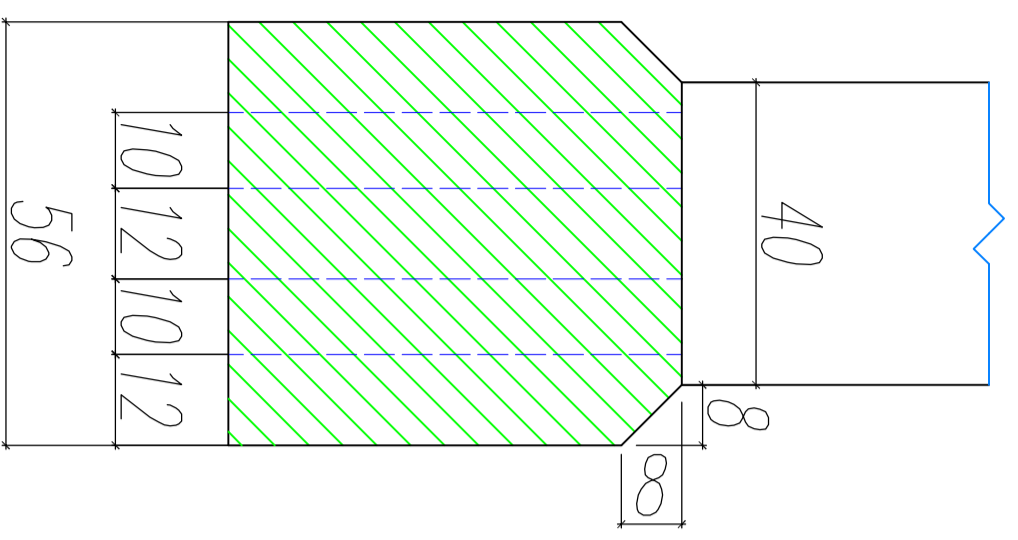


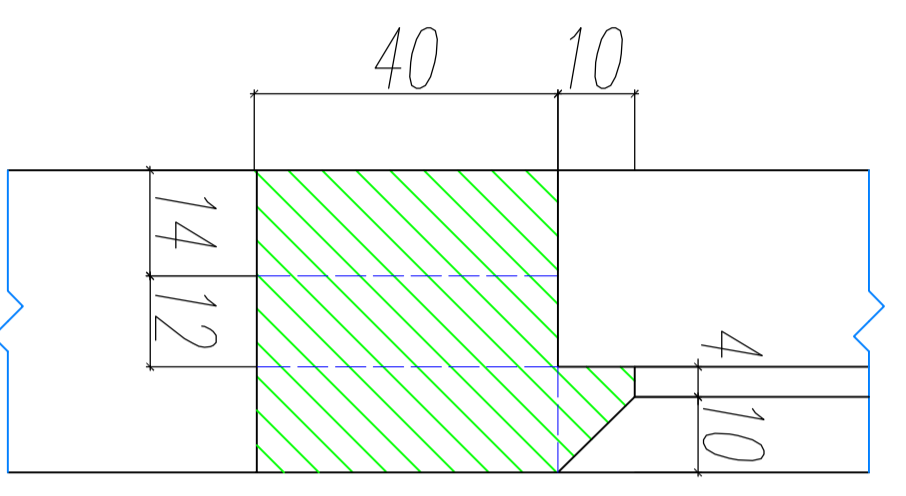
C-C



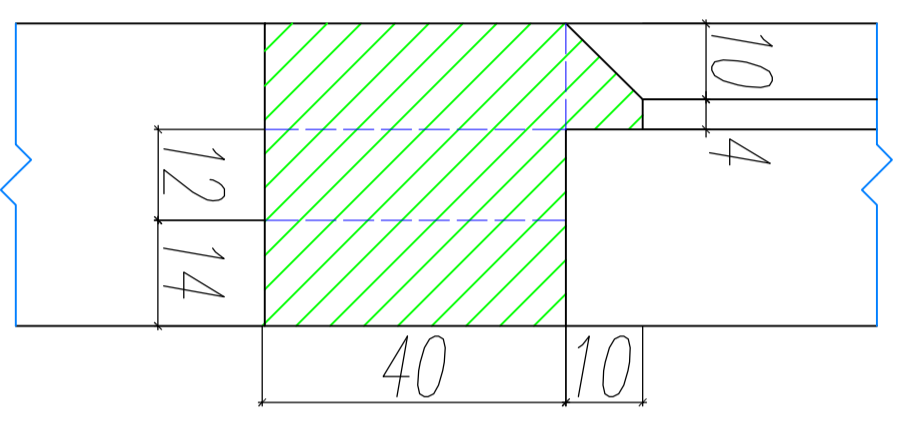
E-E



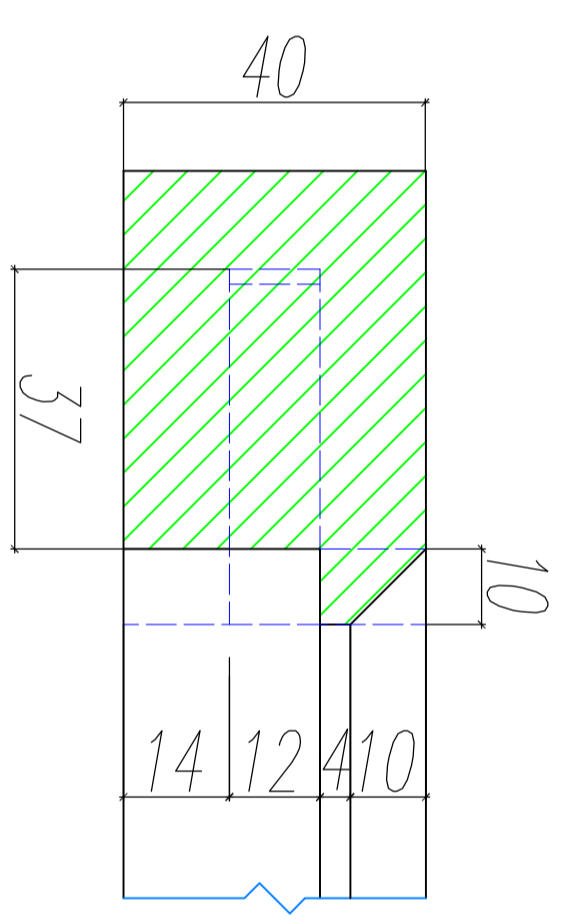
D1-D1



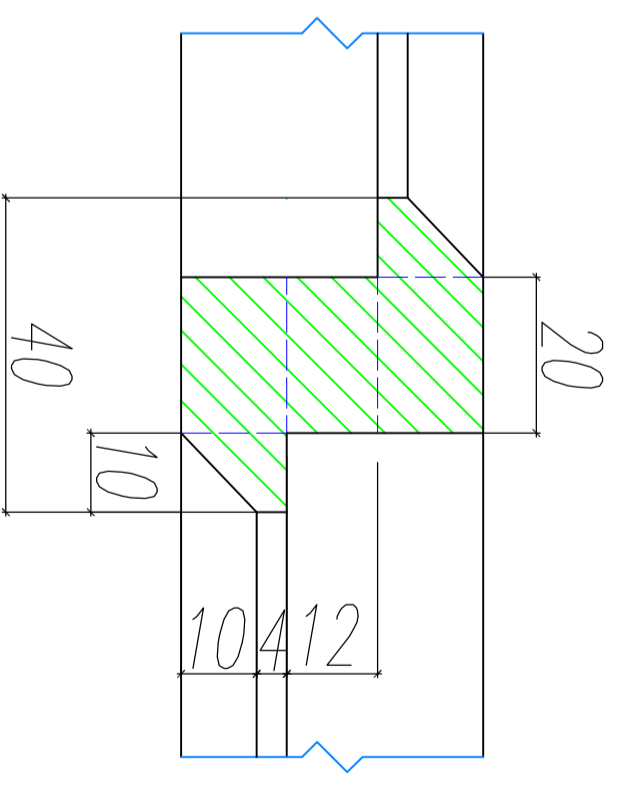
D2-D2



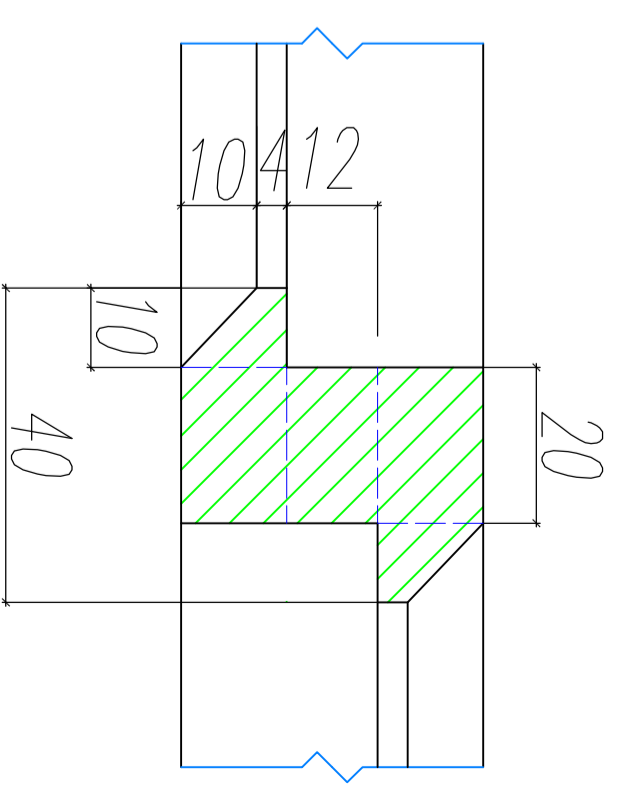
A-A



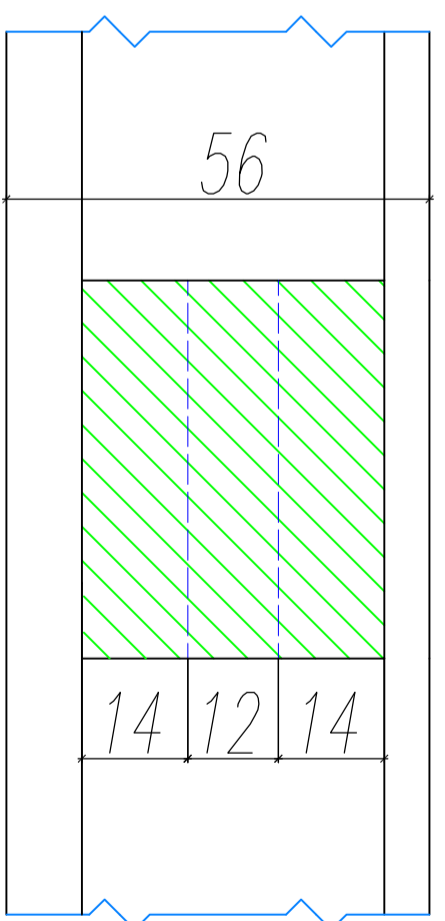
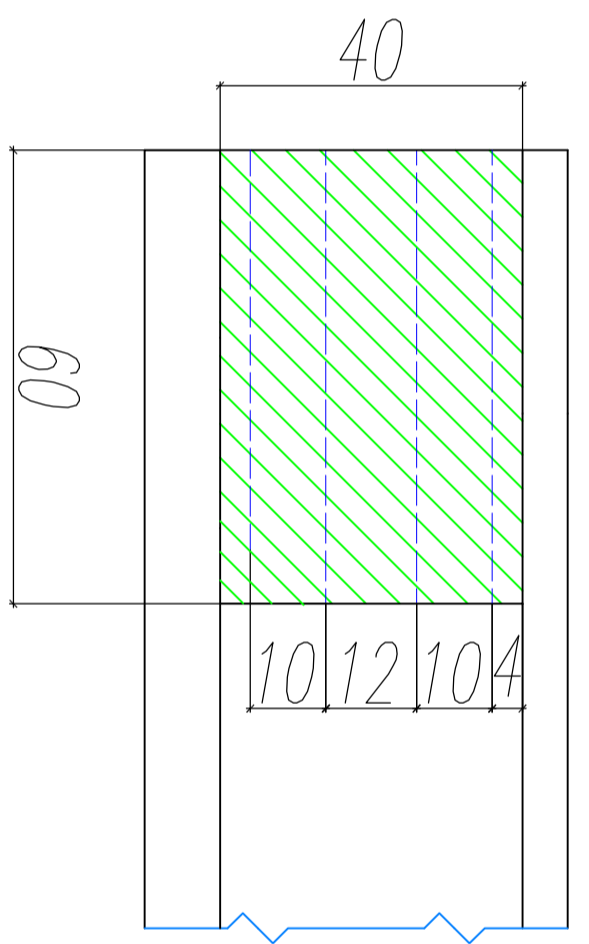
A1-A1



A2-A2



B-B



Test Project for 41st WorldSkills
 Competition in London, United Kingdom 2011.
 Copyright © 2009 WorldSkills International.
 All Rights Reserved.



Skill: 25 JOINERY		Date: 01.10.2011.		Paper: A2	
Scale: 1:1		Drawing No.: WSC2011_TP25_HU_02		Rev:	
Drawn / Design by: CSABA BABANECZ		Page: 2		Description: SECTION DETAILS	

