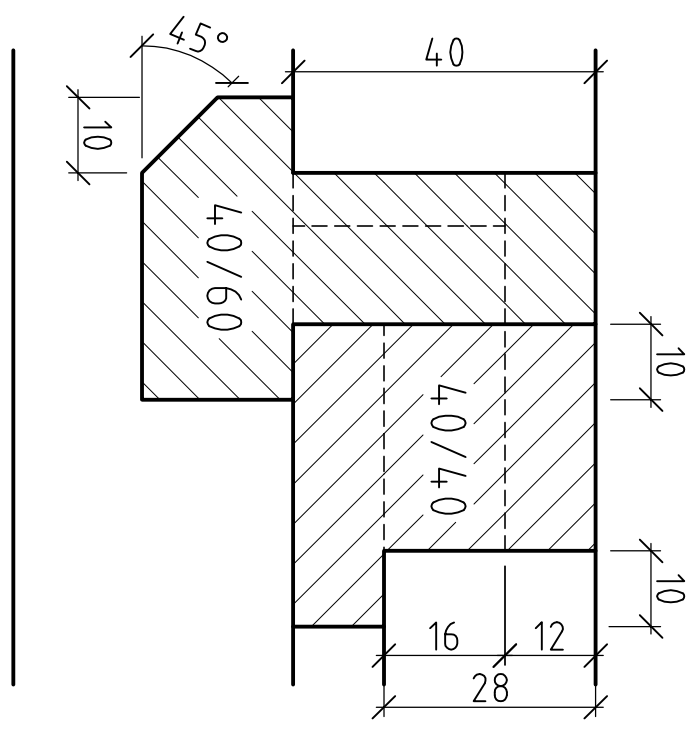
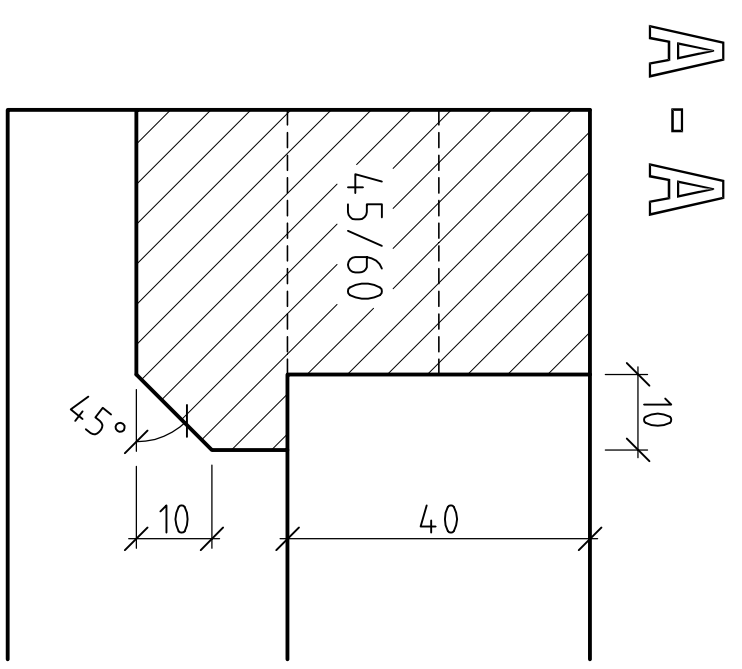
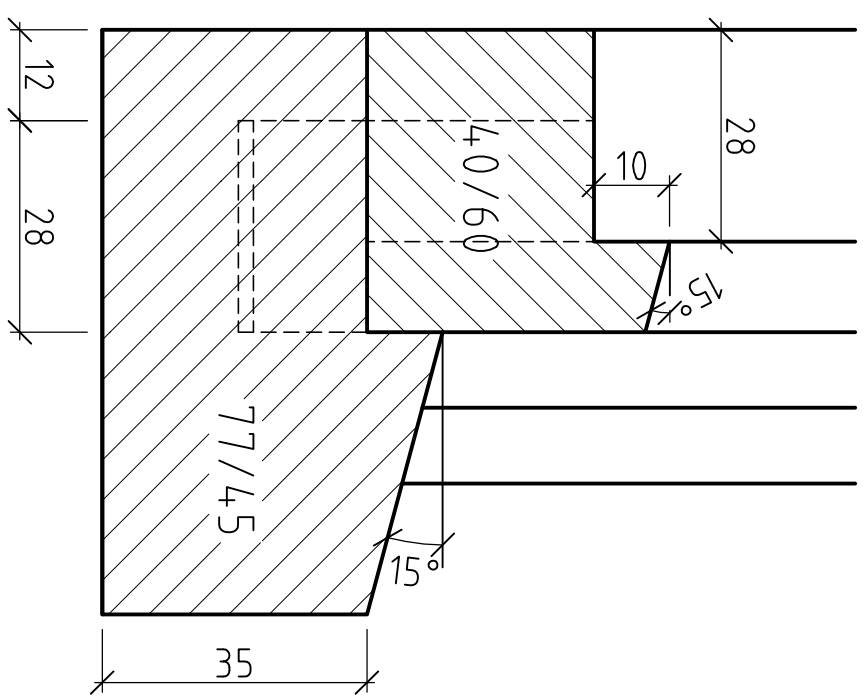


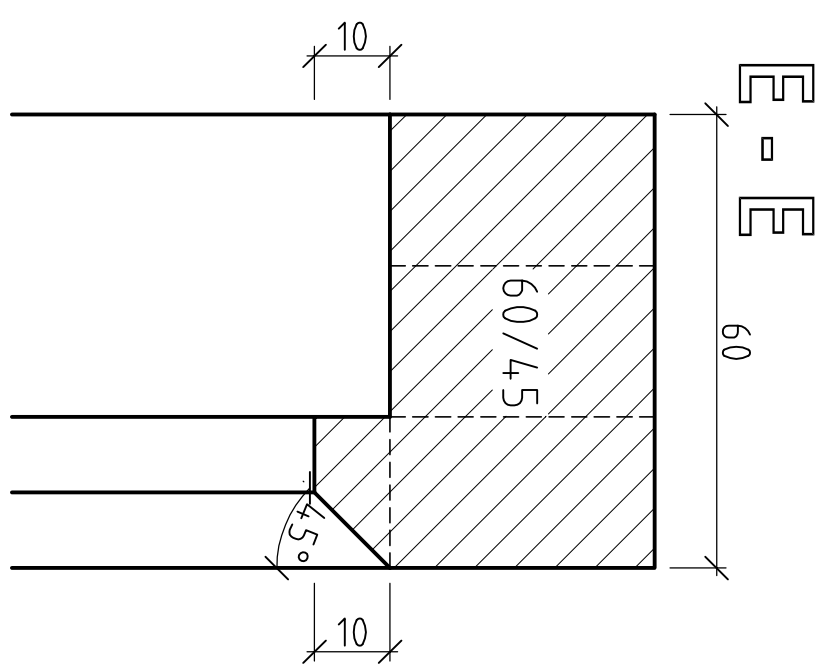
1 2 3 4 5 6 7 8 9 10



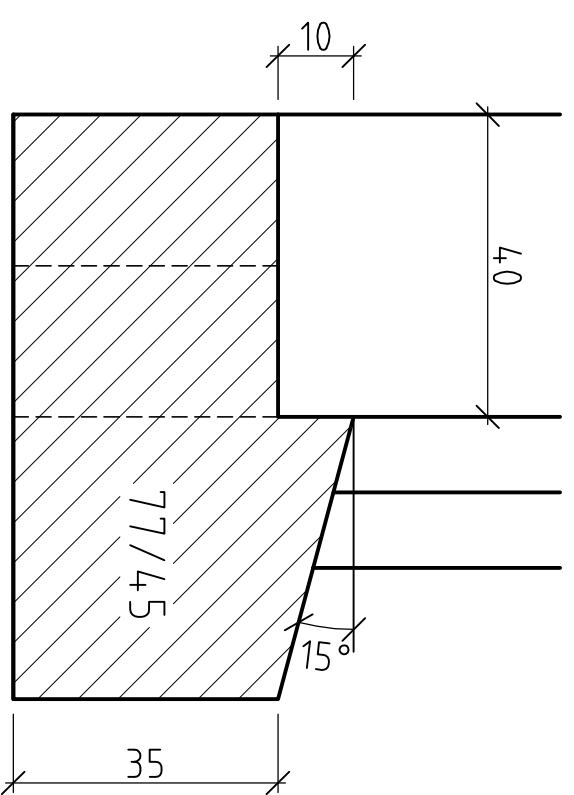
B = B



C = C



E = E



D = D

AT	
AU	
BE	
BR	
CA	
CH	
DE	
DK	
ES	
FR	
HU	
ID	
JP	
KR	
NL	
NO	
NZ	
PT	
RU	
TW	
UK	

Test Project for the 42<sup>nd</sup> WorldSkills Competition in Leipzig, Germany 2013. Copyright © 2011 WorldSkills International. All Rights Reserved.



Skill: 25 Joinery

Scale: 1:1 Date: 18.01.2013 Paper: A3

Drawn / Design by: Richard Schauer

Description: Section Details



Drawing No: WSC2013\_TP25\_DE\_03

Rev: Page:

F

E

D

C

B

A

F

E

D

C

B

A

1 2 3 4 5 6 7 8 9 10