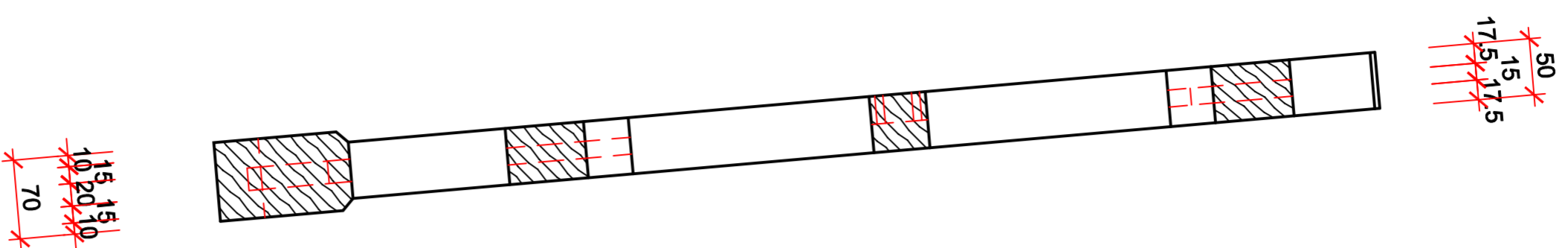
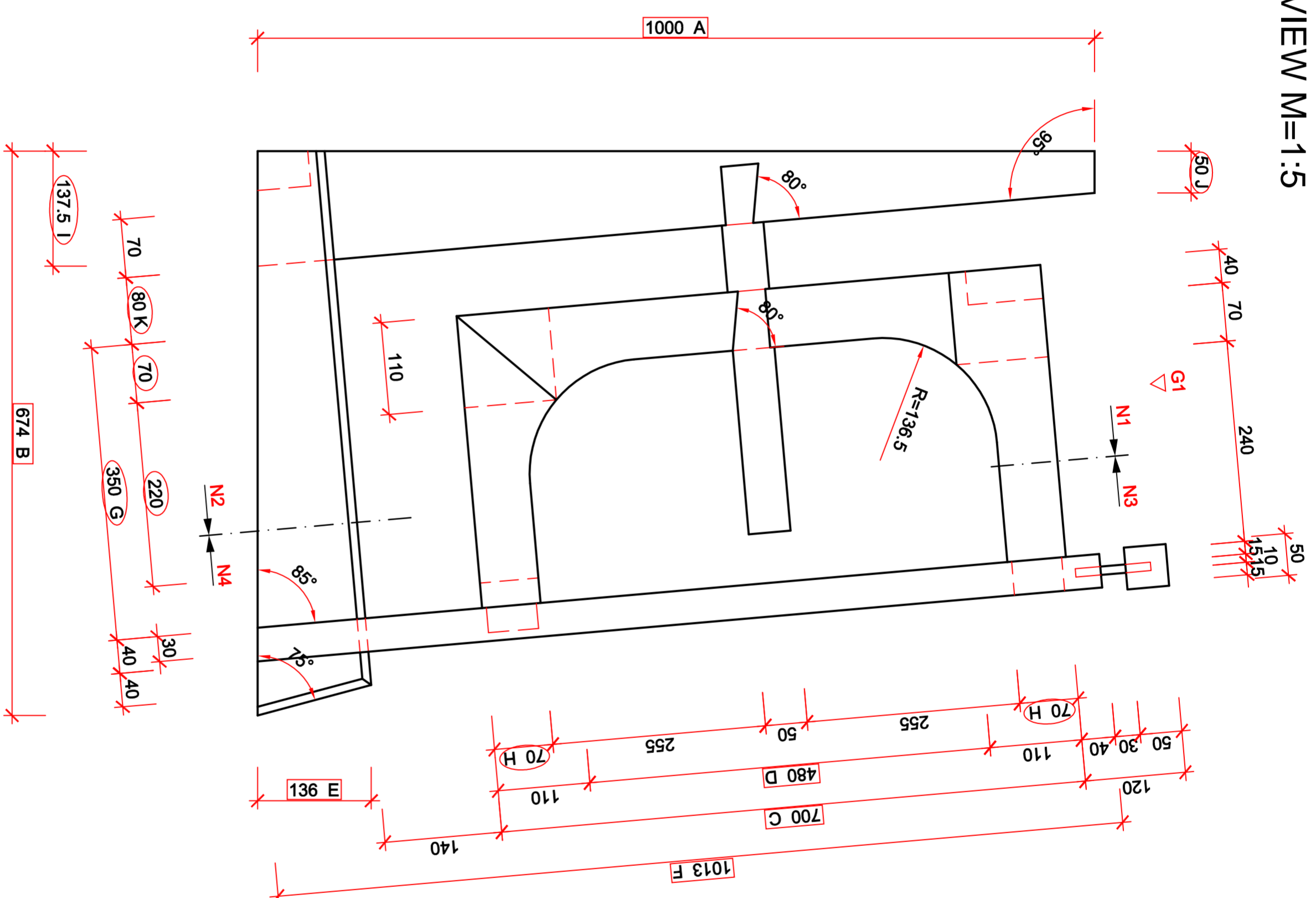


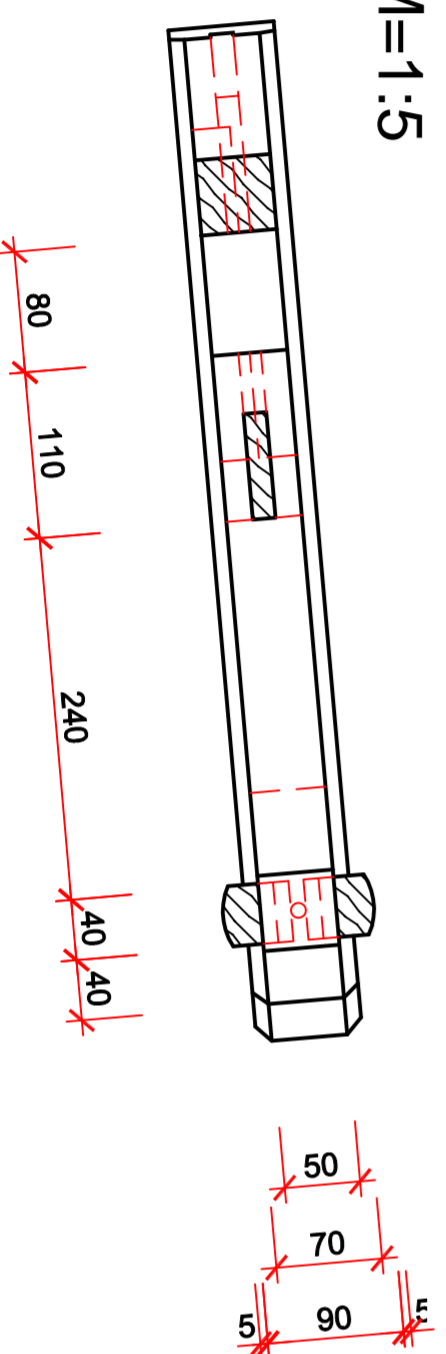
DETAIL N3-N4
M = 1:5



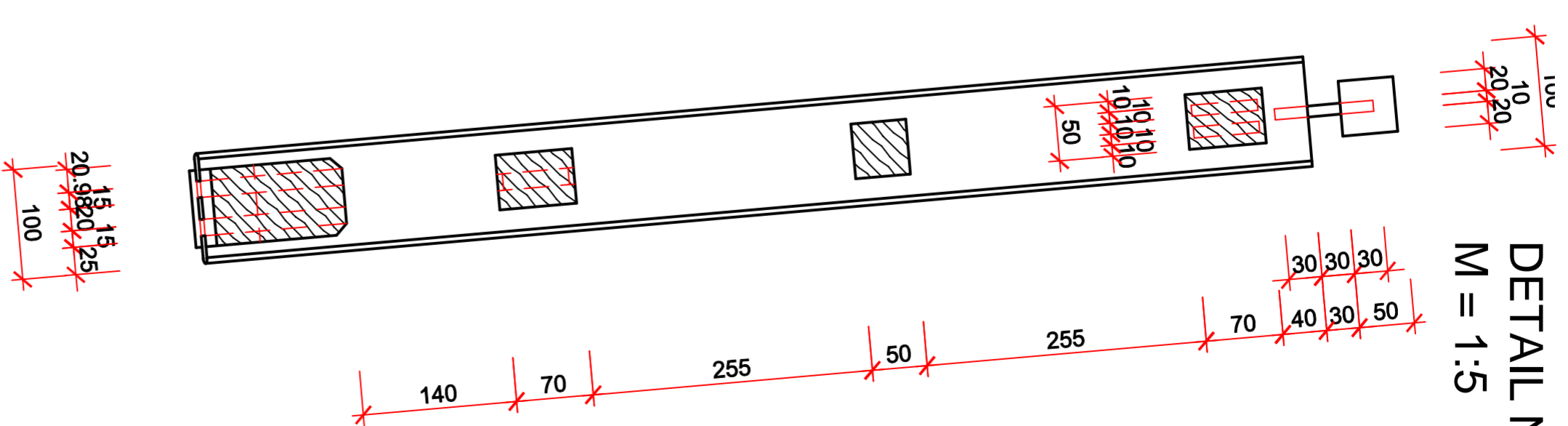
VIEW M=1:5



VIEW G1 M=1:5



DETAIL N1-N2
M = 1:5



Test Project for the 42nd
WorldSkills
Competition in Leipzig, Germany
2013.
Copyright © 2013 WorldSkills
International.
All Rights Reserved.
Skill: JOINERY_25



Scale: 1:5 Date: 21-01-2013 Paper: A4
Drawn / Design by: ANTON_URICH
Description: LEIBZIG_013

Drawing No: WSC2013_TP25_AT_01_EN
Rev: REV
Page: 10F.4
Appr: Sign: