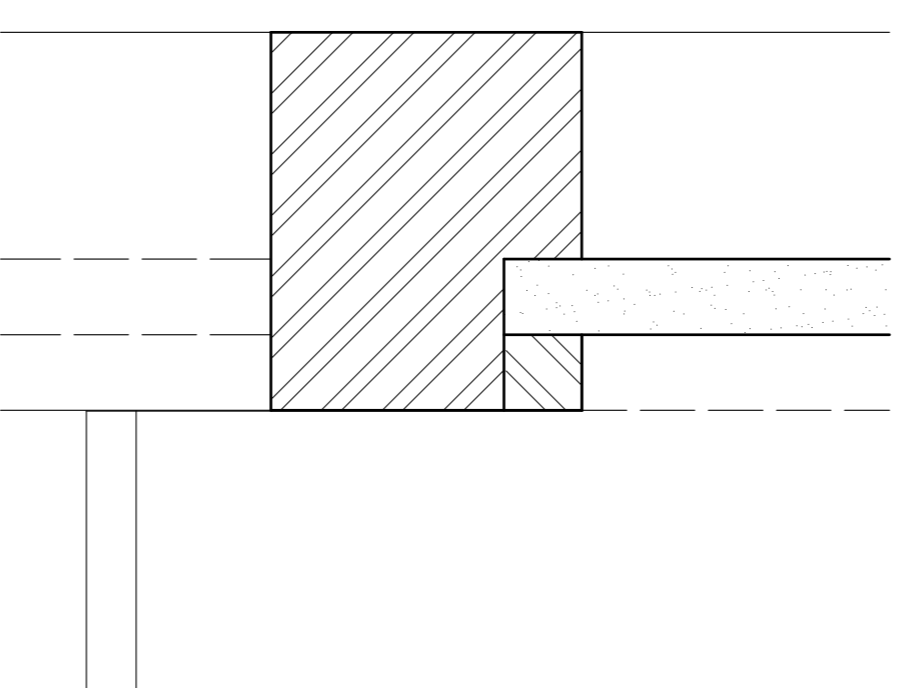
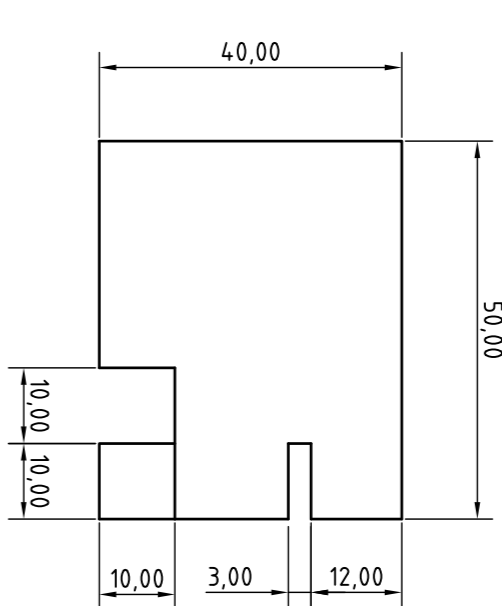


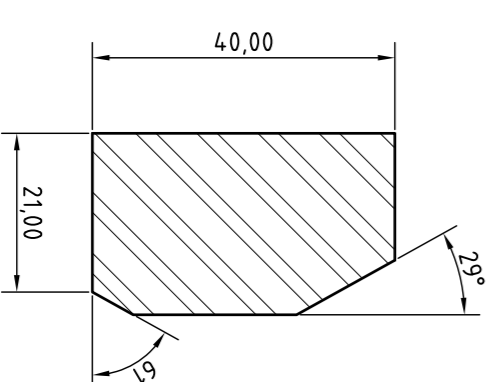
DETAIL D



DETAIL E



DETAIL F



DETAIL G



Test Project for the 42<sup>nd</sup> WorldSkills  
Competition in Leipzig, Germany 2013.  
Copyright © 2011 WorldSkills International.  
All Rights Reserved.



SKILL: Cabinetmaking

DESK

Scale: 1/15 1/1 | Date: 09 / 2011 | Paper: A1

Drawn / Design by: Enrique Solo and Luz Lorenzo

Drawing No: 01/05

Description: Views and Details D, E, F, G

Rev: | Page: 01

1 2 3 4 5 6 7 8 9 10 11 12