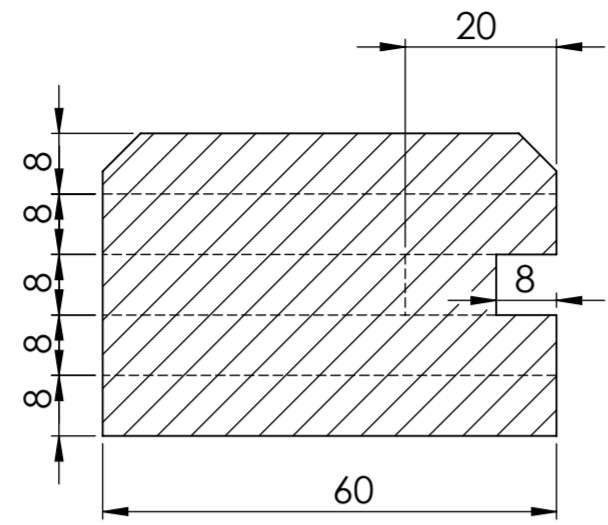
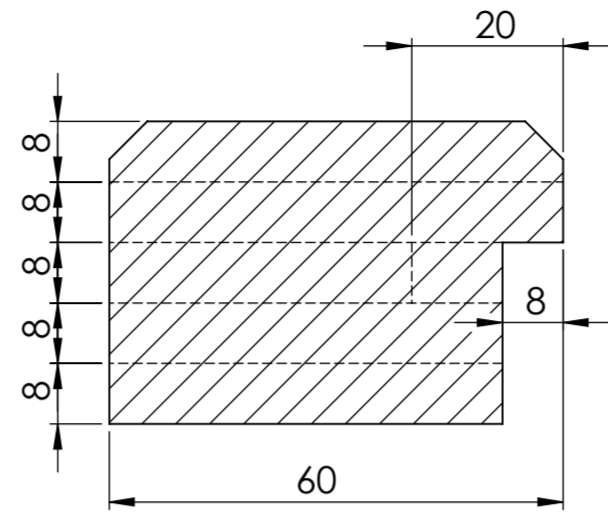


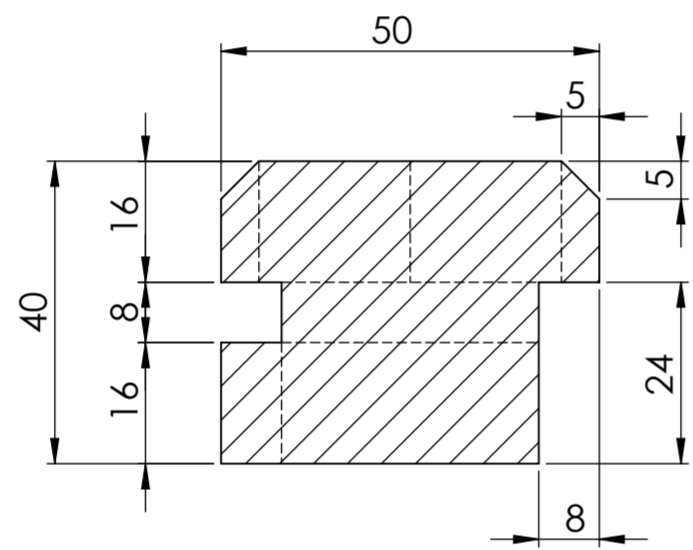
UNLESS OTHERWISE SPECIFIED: DIMENSIONS ARE IN MILLIMETERS		FINISH:		DEBUR AND BREAK SHARP EDGES		DO NOT SCALE DRAWING		REVISION	
SURFACE FINISH:						Design by:		Hannu Honkanen	
TOLERANCES:						TITLE:		Test Project for the 41st WorldSkills Competition in London, UK 2011	
LINEAR:						SKILL:		25 JOINERY	
ANGULAR:						DWG NO.:		A2	
DRAWN:		NAME		SIGNATURE		DATE			
CHK'D:		31.03.2011							
APPV'D:									
MFG:									
Q.A.:						MATERIAL:			
						WEIGHT:		SCALE:1:10	
								SHEET 1 OF 2	



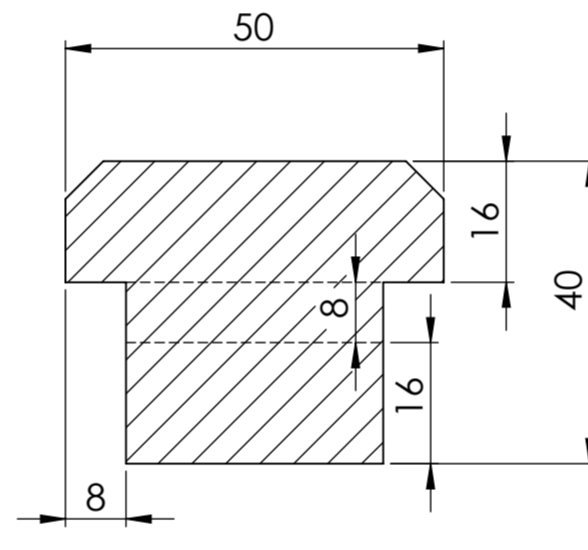
SECTION A-A  
SCALE 1 : 1



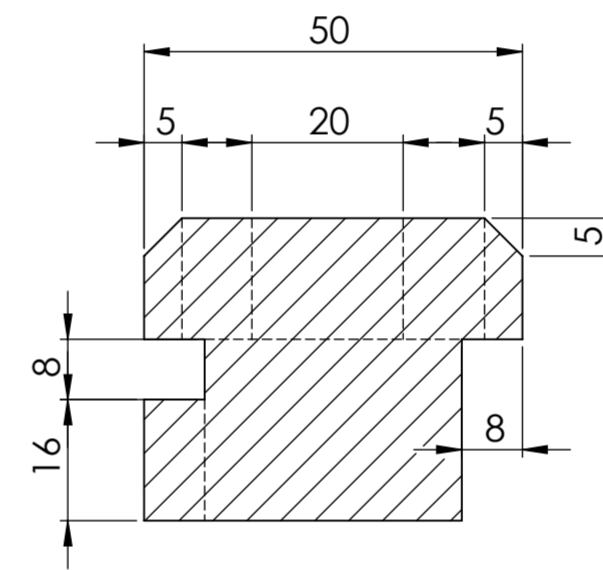
SECTION C-C  
SCALE 1 : 1



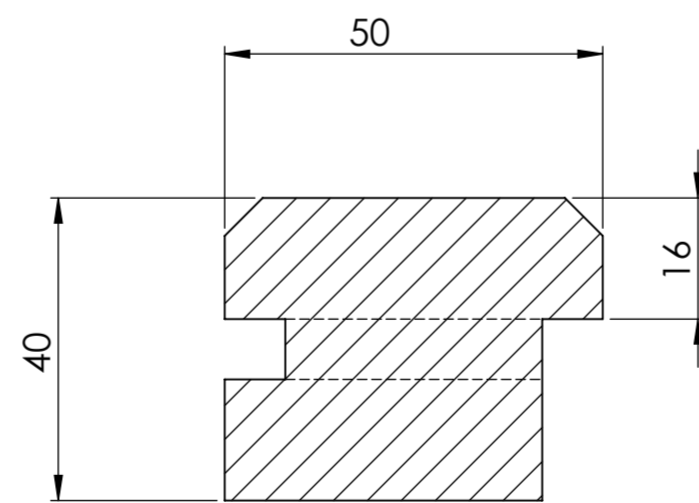
SECTION B-B  
SCALE 1 : 1



SECTION D-D  
SCALE 1 : 1



SECTION E-E  
SCALE 1 : 1



SECTION F-F  
SCALE 1 : 1

UNLESS OTHERWISE SPECIFIED: DIMENSIONS ARE IN MILLIMETERS		FINISH:		DEBUR AND BREAK SHARP EDGES		DO NOT SCALE DRAWING		REVISION	
SURFACE FINISH:						DESIGN BY:		HANNU HONKANEN	
TOLERANCES:						TITLE:		Test project for the 41st WorldSkills Competition in London, UK 2011	
LINEAR:						SKILL:		25 JOINERY	
ANGULAR:						DESCRIPTION		FRAME WORKING DRAWING	
DRAWN:		NAME		SIGNATURE		DATE		A2	
CHK'D:						31.03.2011			
APPV'D:									
MFG:									
Q.A:						MATERIAL:		SCALE:1:4	
						WEIGHT:		SHEET 2 OF 2	