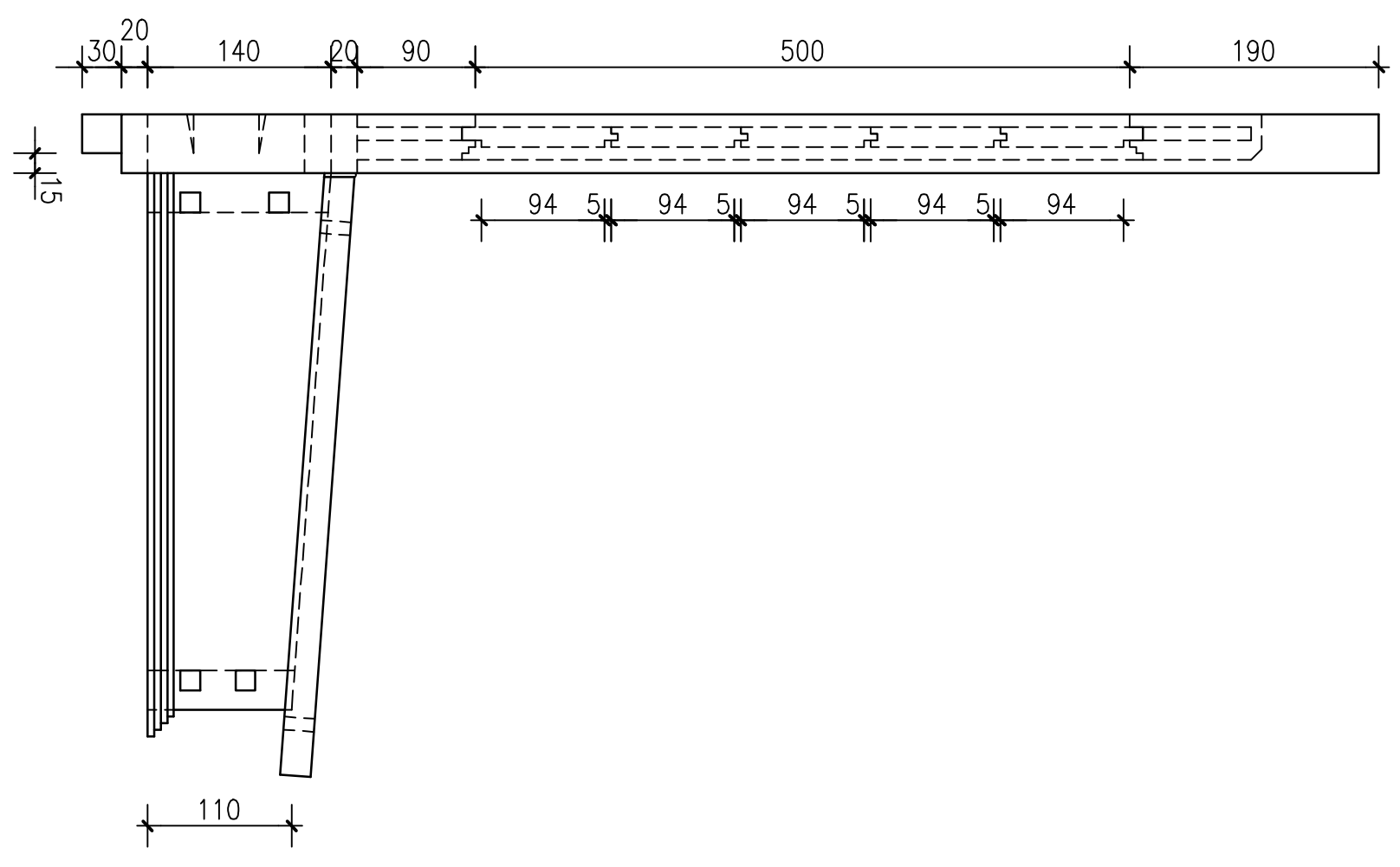


A B C D E F

1 2 3 4 5 6 7 8 9 10



Test Project for the 40th WorldSkills
Competition in Calgary, Canada 2009



Skill: 25 JOINERY

Scale: 1:5 Date: 23-06-2009 Paper: A3

Drawn / Design by: SI/SB Drawing No. TP25-40CA-AU-07-EN>dwg

Description: DIMENSIONS Rev: A Page: 16

1 2 3 4 5 6 7 8 9 10

A B C D E F