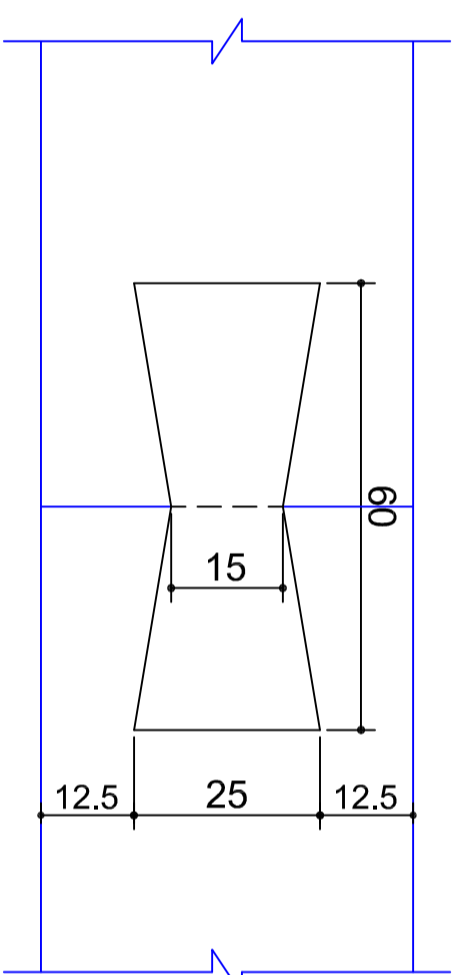
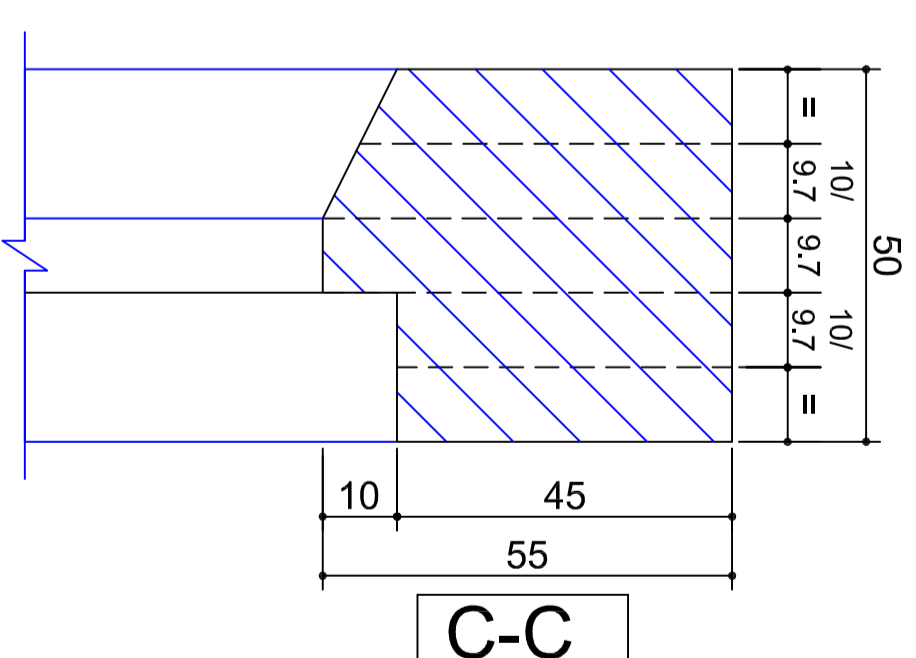


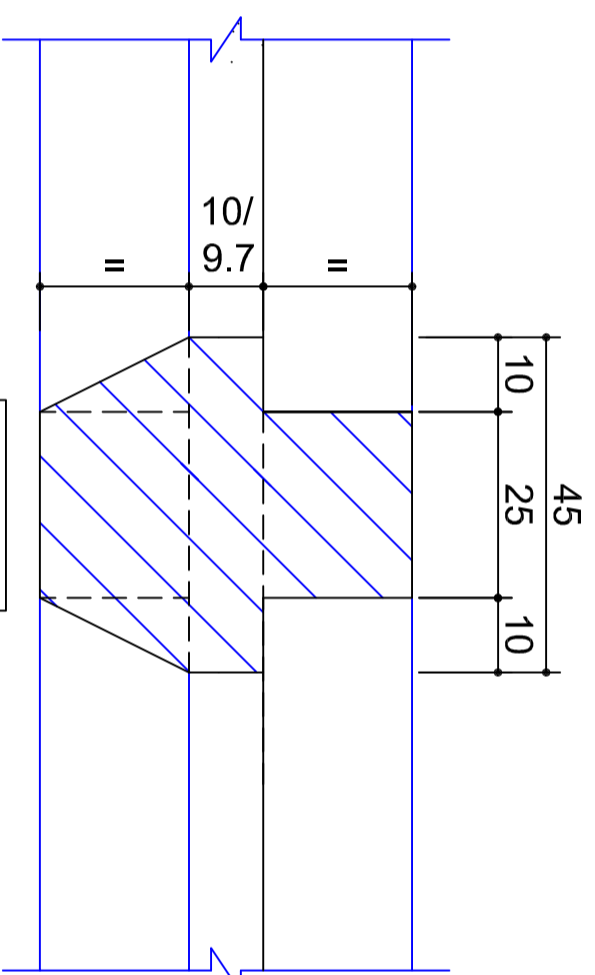
B-B



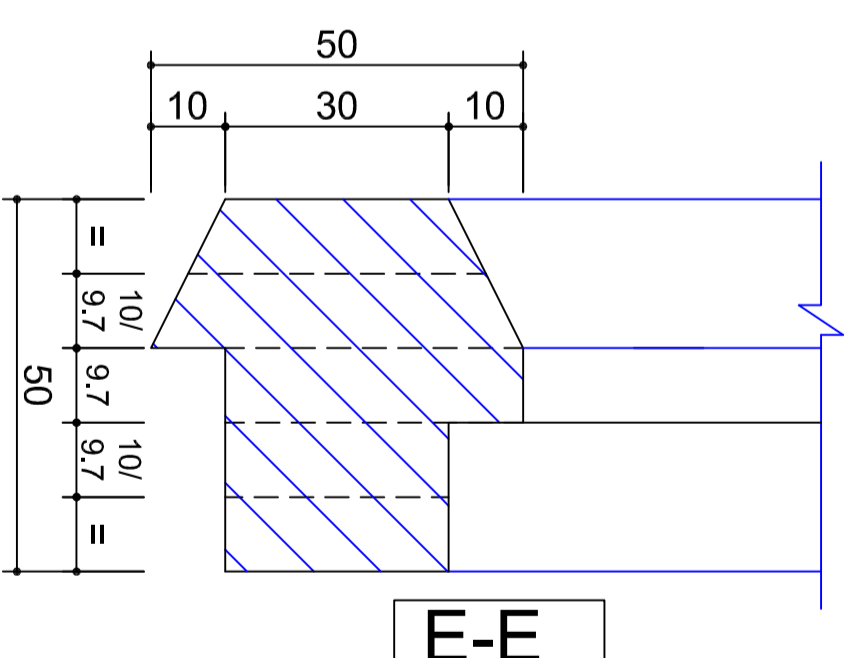
a, DETAIL



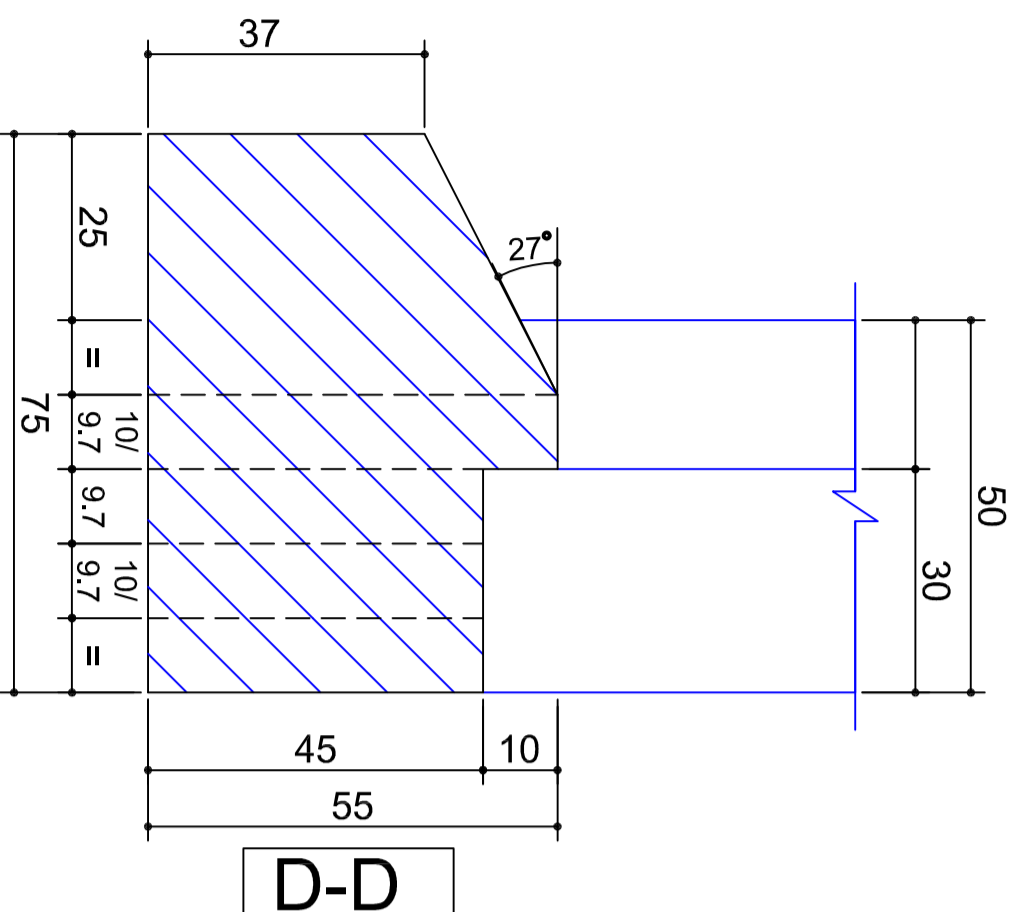
C-C



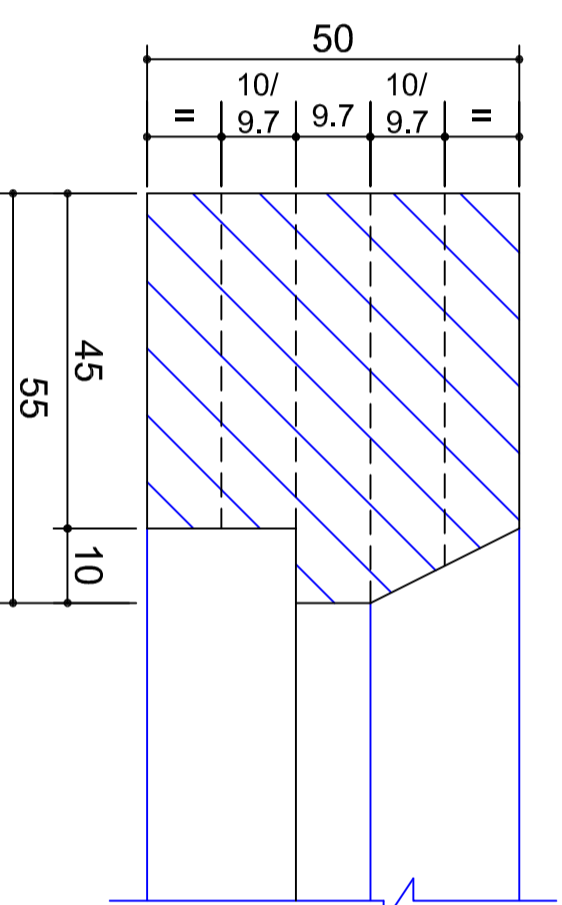
F-F



E-E



D-D



A-A

CH	
CA	
AU	
BE	
JP	
FI	
VN	
DK	
HU	
IR	
TW	
PT	
FR	
UK	
KR	
DE	
ES	
AT	
ID	
NZ	

Test Project for the 40<sup>th</sup> WorldSkills  
Competition in Calgary, Canada 2009



Skill: 25 JOINERY

Scale: 1 : 1 Date: 20/02/2009 Paper: A2

Drawn / Design by: Hyuk Youl Kwon

Drawing No: TP25\_40CA\_KR\_DWG

Description: FRAME WORKING DRAWING

Rev: Page: 4