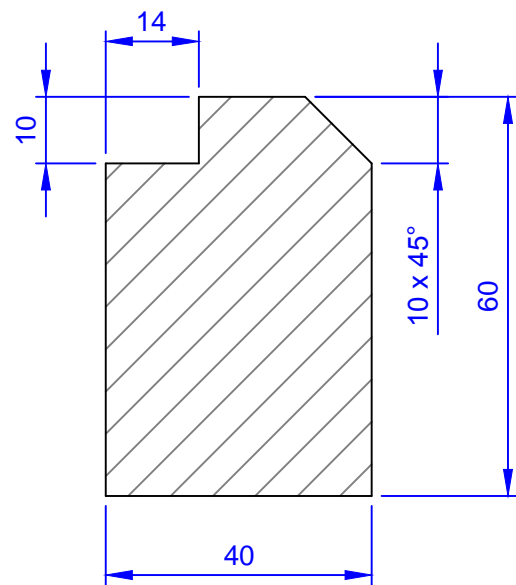
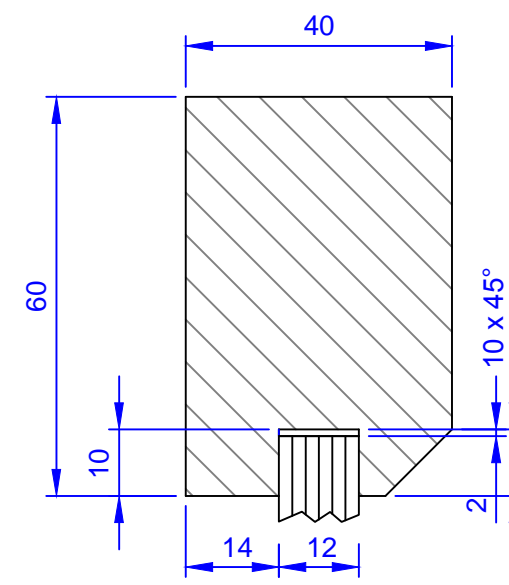


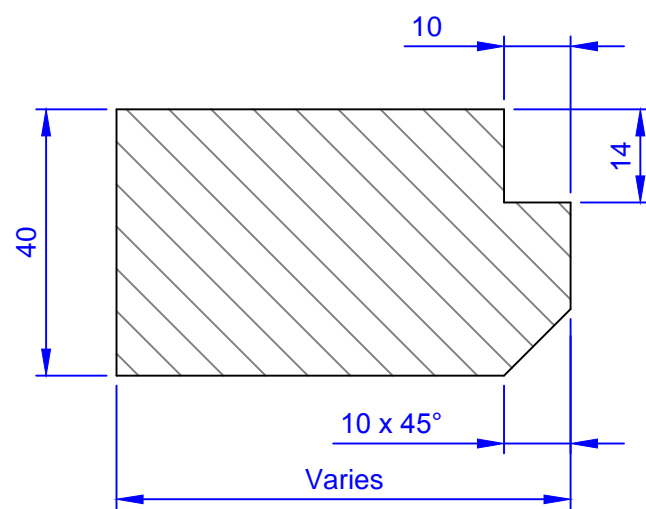
Section E-E  
(Varies)



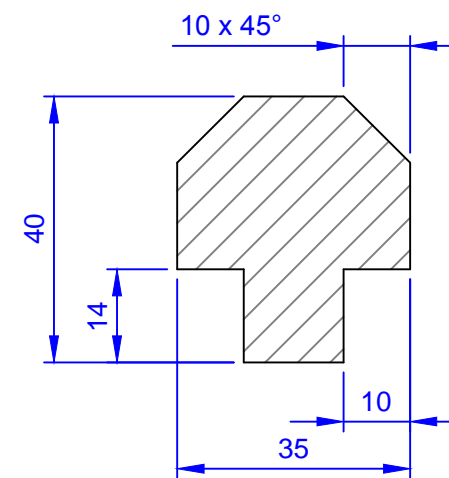
Section C-C



Section G-G & D-D



Section B-B  
(Varies)



Section F-F

Test Project for the 43<sup>rd</sup> WorldSkills  
Competition in São Paulo, Brazil 2015.  
Copyright © 2015 WorldSkills International.  
All Rights Reserved.



Skill: JOINERY				
Scale: 1:5	Date: 30.07.2015	Paper: A3		
Drawn / Design by: John Joe O Reilly			Drawing No: WSC2015_TP25_03_IE_EN	
Description: 30% Change MATERIAL SECTIONS			Rev: 0	Page: 03 OF 03
			Appd:	Sign: