

1 2 3 4 5 6

A

A

B

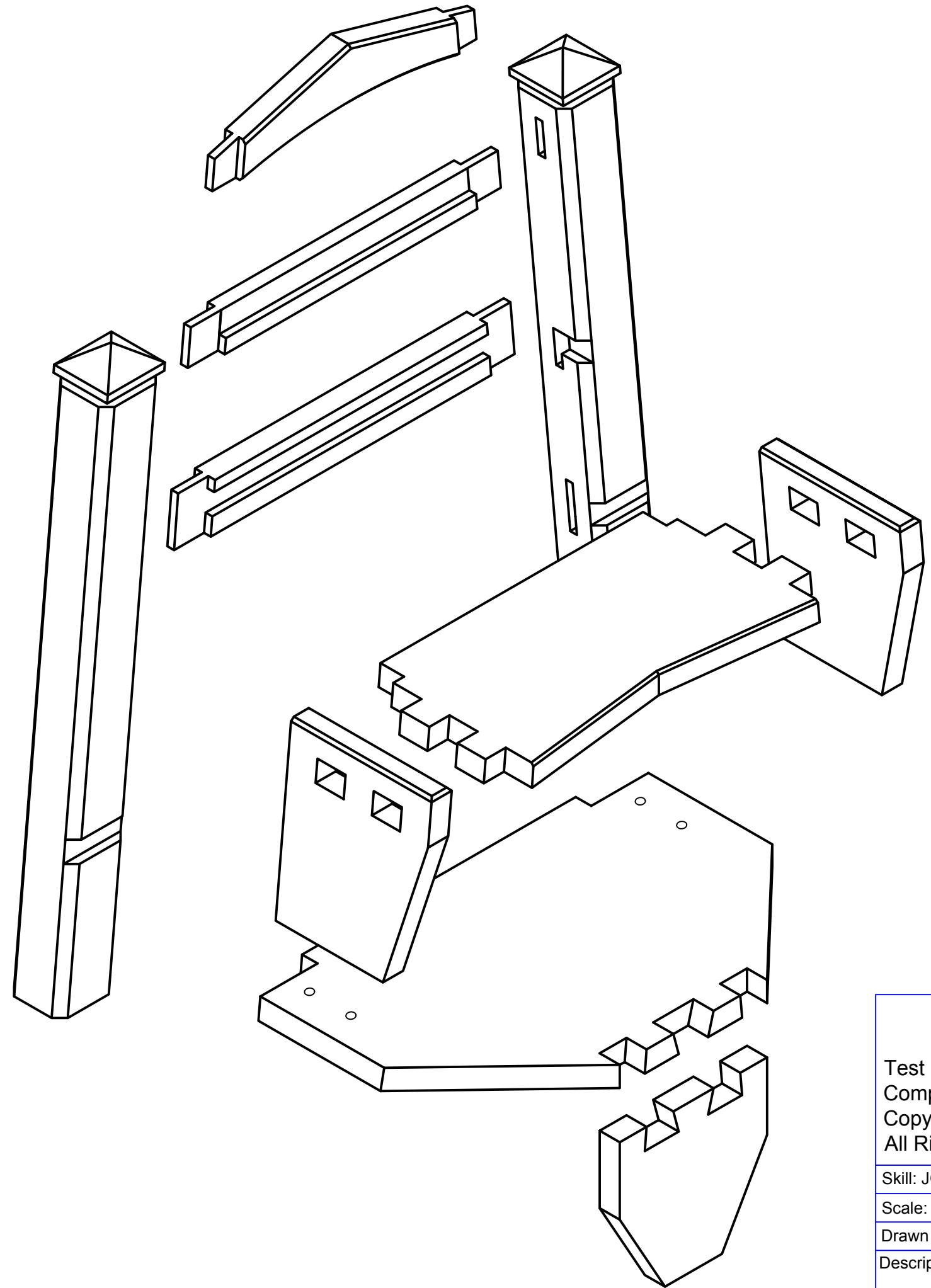
B

C

C

D

D



Test Project for the 43rd WorldSkills
 Competition in São Paulo, Brazil 2015.
 Copyright © 2015 WorldSkills International.
 All Rights Reserved.



Skill: JOINERY				
Scale: 1:5	Date: 30.07.2015	Paper: A3		
Drawn / Desing by: Bruno de Assis Coelho			Drawing No: WSC2015_TP25_01_BR_EN.dwg	
Description: Exploded Details of Complex Joints			Rev: 0	Page: 02 of 05
			Appd: Jose Fonseca	

1 2 3 4 5 6