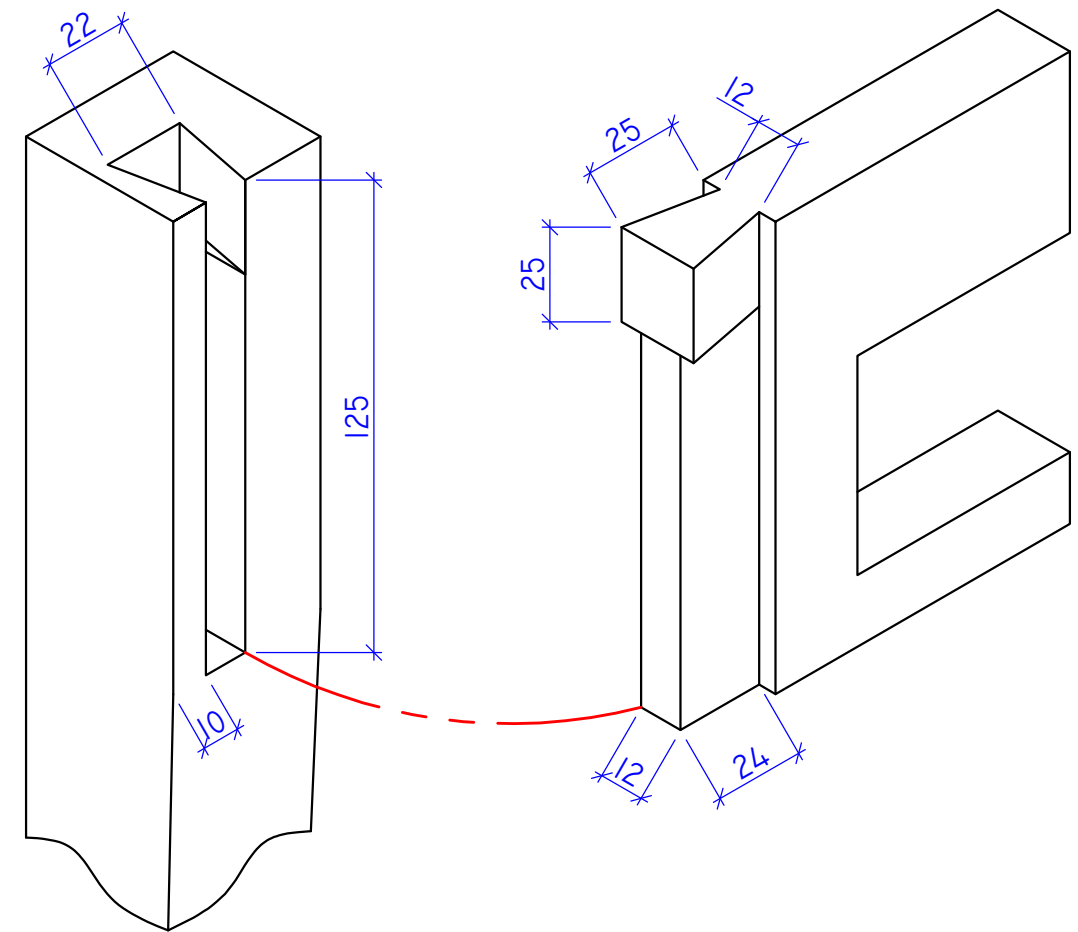


SECTION C : C SCALE 1 : 5



FRONT RAIL AND LEG
LAP DOVETAIL WITH TENON
ISOMETRIC VIEW
SCALE 1 : 2

EUROSKILLS 2016
PAGE 4 OF 5 - SECTION C : C
SCALE AS NOTED
DEC 1, 2016 HB